



Rotating cleaning nozzle »PVDF MicroWhirly« Series 500.191

Series 500.191

The PVDF MicroWhirly is made entirely from PVDF and designed to work in a corrosive environment. It is also suitable for contact with food and the application of foam, and can be used for cleaning equipment - all for a very good price-performance ratio.



	Max. tank diameter[m]	0	1	2	3	4	5	6	7	8	9
--	------------------------------	---	---	---	---	---	---	---	---	---	---



Material
PVDF



Max. temperature
90 °C



Recommended operating pressure
2 bar



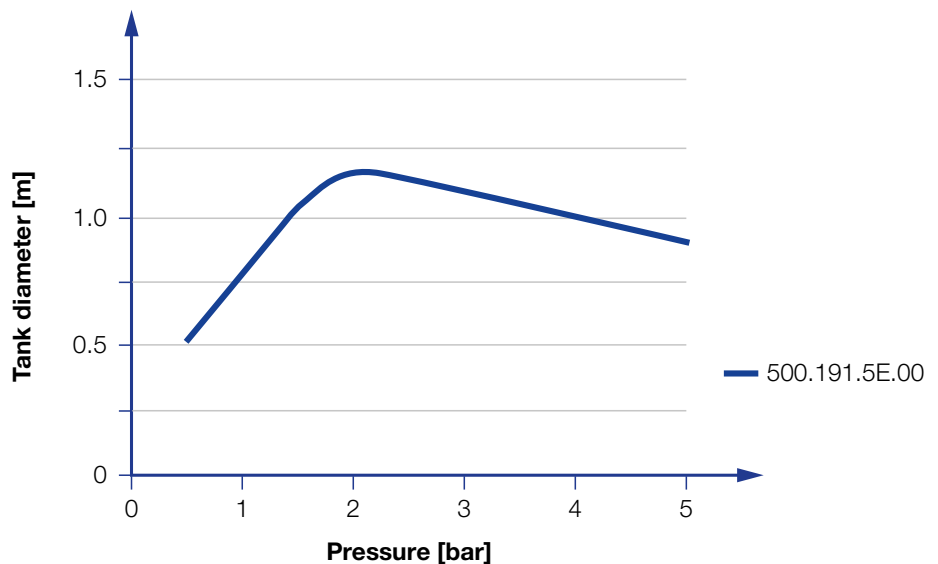
Installation
Operation in every direction is possible



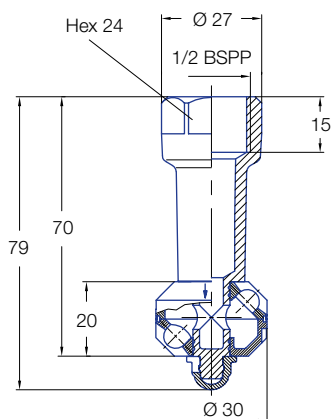
Filtration
Line strainer with a mesh size of 0.3 mm/50 mesh



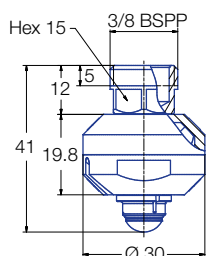
Bearing
Slide bearing made of PVDF



Overview of the tank diameter, depending upon the pressure of series 500.191


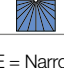


Standard version
Female thread



Compact version
Male thread

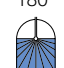
Standard version

Spray angle 	Ordering number Type	E Ø [mm]	Connection BSPP female	V̇ [l/min]				Max. tank diameter [m]
				p [bar] (p _{max} = 5 bar)				
				1	2	3	at 40 psi [US gal./ min]	
180° 	500.191.5E.02	2.2	1/2"	9	13	16	4	0.8
180° 	500.191.5E.01	2.2	1/2"	9	13	16	4	0.8
270° 	500.191.5E.31	2.2	1/2"	14	20	25	6	1.1
360° 	500.191.5E.00	2.2	1/2"	14	20	25	6	1.1

E = Narrowest free cross-section

The maximum tank diameter shown above applies for the recommended operating pressure and is indicative only. The cleaning result is also affected by the type of soiling.

Compact version

Spray angle 	Ordering number Type	E Ø [mm]	Connection BSPP male	V̇ [l/min]				Max. tank diameter [m]
				p [bar] (p _{max} = 5 bar)				
				1	2	3	at 40 psi [US gal./ min]	
180° 	500.191.5E.21	2.2	3/8"	9	13	16	4	0.8
360° 	500.191.5E.22	2.2	3/8"	14	20	25	6	1.1

E = Narrowest free cross-section

The maximum tank diameter shown above applies for the recommended operating pressure and is indicative only. The cleaning result is also affected by the type of soiling.

Information on operation

- Operation with compressed air only for short-term usage. Operation above the recommended operating pressure means higher wear and smaller droplets. This might have adverse effects on the cleaning result.