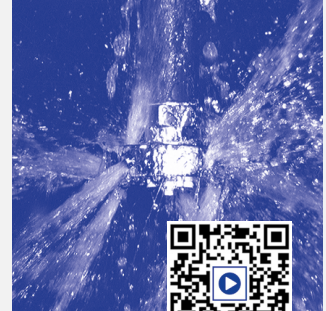
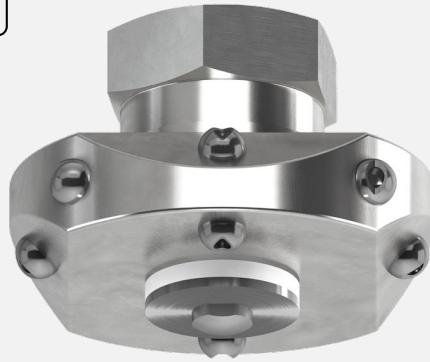




# Rotating cleaning nozzles »Gyro« Series 577

## Series 577

The Gyro cleans with powerful nozzle inserts and is available in many flow rates and spray angles. It is also suitable for very large tanks and is insensitive to clogging.



### Function video

Scan the QR-code  
or go to:  
[www.lechler.de/  
GyroGB](http://www.lechler.de/GyroGB)



**Max. tank diameter [m]**



**Materials**  
Stainless steel  
316L SS, PTFE



**Max. temperature**  
90 °C



**Recommended operating pressure**  
3 bar



**Installation**  
Vertically facing downward



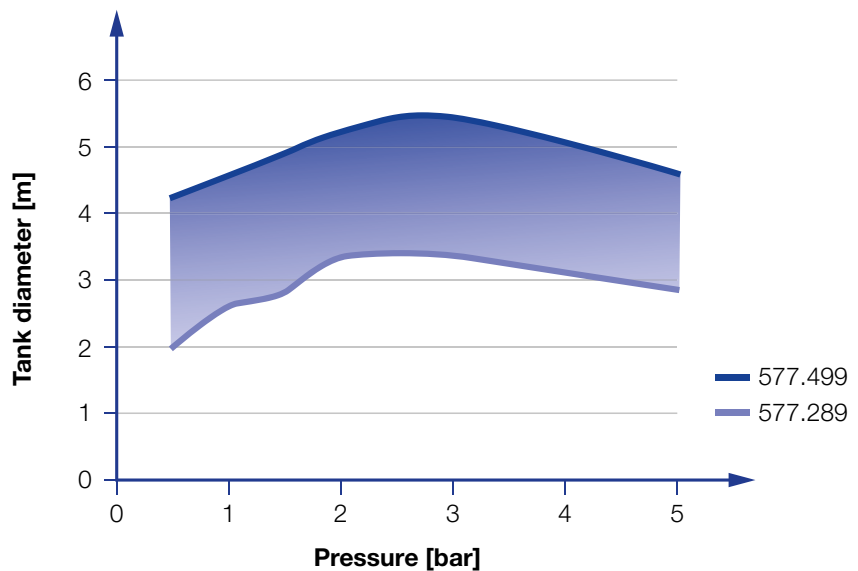
**Filtration**  
Line strainer with a mesh size of 0.3 mm/50 mesh



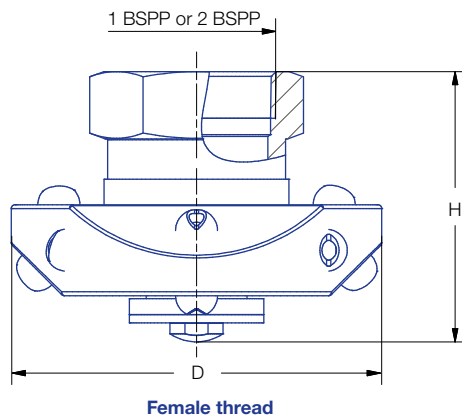
**Bearing**  
Slide bearing made of PTFE








**Accessories**  
Spare parts set consisting of:  
top seal, bottom seal, bolt, nut, sleeve, instructions for use



Overview of the tank diameter, depending upon the pressure of series 577



Spray angle 	Ordering no.			V [l/min]					Dimensions	
	Type	Connection		p [bar] (p <sub>max</sub> = 5 bar)					Height H [mm]	Diameter D [mm]
		1 BSPP	2 BSPP	1	2	3	5	at 40 psi [US gal./min]		
180° 	577.283.1Y	AN	-	115	163	200	258	50	72	118
	577.363.1Y	AN	-	182	258	316	408	80	72	118
	577.403.1Y	-	AW	228	322	394	509	100	103	156
	577.433.1Y	-	AW	273	386	473	610	120	103	156
	577.523.1Y	-	AW	452	639	783	1010	170	103	156
180° 	577.284.1Y	AN	-	115	163	200	258	50	72	118
	577.364.1Y	AN	-	182	258	316	408	80	72	118
	577.404.1Y	-	AW	228	322	394	509	100	103	156
	577.434.1Y	-	AW	273	386	473	610	120	103	156
	577.494.1Y	-	AW	380	538	659	851	170	103	156
270° 	577.285.1Y	AN	-	115	163	200	258	50	72	118
	577.365.1Y	AN	-	182	258	316	408	80	72	118
	577.405.1Y	-	AW	228	322	394	509	100	103	156
	577.435.1Y	-	AW	273	386	473	610	120	103	156
	577.495.1Y	-	AW	380	538	659	851	170	103	156
360° 	577.289.1Y	AN	-	115	163	200	258	50	72	118
	577.369.1Y	AN	-	182	258	316	408	80	72	118
	577.409.1Y	-	AW	228	322	394	509	100	103	156
	577.439.1Y	-	AW	273	386	473	610	120	103	156
	577.499.1Y	-	AW	380	538	659	851	170	103	156

NPT on request

The maximum tank diameter shown above applies for the recommended operating pressure and is indicative only. The cleaning result is also affected by the type of soiling.

### Information on operation

- Operation with compressed air only for short-term usage. Operation above the recommended operating pressure means higher wear and smaller droplets. This might have adverse effects on the cleaning result.

**Example for Ordering:** Type 577.283.1Y. + Connection AN = Ordering no. 577.283.1Y.AN

