

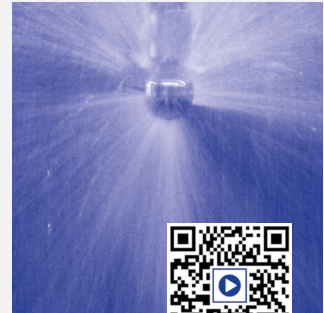


Rotating cleaning nozzle »MiniSpinner« Series 5MI

Series 5MI

The innovative slot design gives the MiniSpinner its high degree of effectiveness. Due to the modern bearing construction, it is particularly reliable and durable.

The MiniSpinner is made entirely from stainless steel and designed for use also at high temperatures. Apart from stainless steel, it is also available in Hastelloy and in many flow rates.



Function video

Scan the QR-code
or go to:
[www.lechler.de/
SpinnerGB](http://www.lechler.de/SpinnerGB)



Max. tank diameter [m]

0 | 1 | 2 | 3 | 4 | 5 | 6 | 7 | 8 | 9



Materials

Stainless steel
316L SS,
Stainless steel
440C SS
Hastelloy C22,
Hastelloy C276



Max. temperature

140 °C



Recommended operating pressure

2 bar



Installation

Operation in every
direction is possible



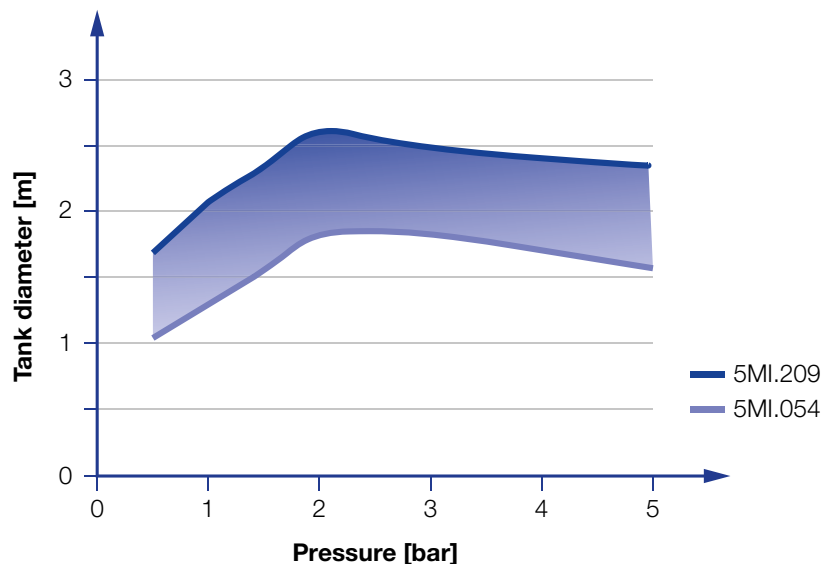
Filtration

Line strainer with
a mesh size of
0.1 mm/170 Mesh

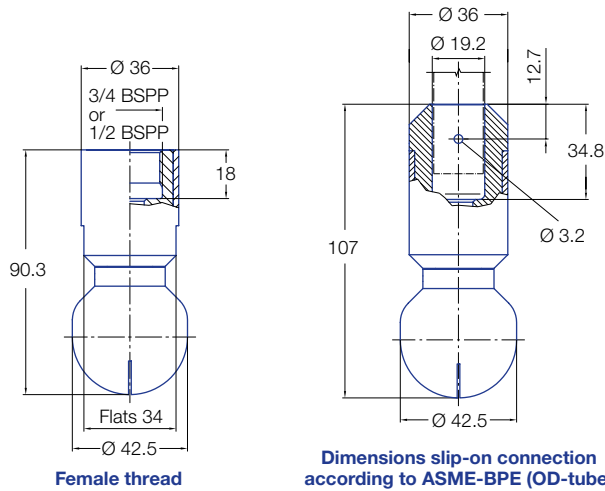


Bearing

Double ball bearing
made of 440C SS
Double ball bearing
made of C276



Overview of the tank diameter, depending upon the pressure of series 5MI



Dimensions slip-on connection according to ASME-BPE (OD-tube)

Spray angle	Ordering no.						E Ø [mm]	V̇ [l/min]				Max. tank diameter [m]
	Type	Mat. no.		Connection				p [bar] (p _{max} = 5 bar)				
		1Y 316L SS	21 Hastelloy C22	1/2 BSPP	3/4 BSPP	3/4" Slip-on		1	2	3	at 40 psi [US gal./ min]	
60°	5MI.162	○	○	AH	-	TF07	2.6	45	63	77	20	-
180°	5MI.113	○	○	-	AL	TF07	1.0	47	67	82	21	2.6
180°	5MI.114	○	○	-	AL	TF07	1.0	47	67	82	21	2.6
360°	5MI.054	○	○	-	AL	TF07	0.5	21	30	37	9	1.8
	5MI.074	○	○	-	AL	TF07	0.6	35	49	60	15	2.1
	5MI.014	○	○	-	AL	TF07	0.9	49	69	85	21	2.3
	5MI.209	○	○	-	AL	TF07	1.5	71	100	122	31	2.6

E = Narrowest free cross-section
NPT, more slip-on sizes and weld-on versions on request

The maximum tank diameter shown above applies for the recommended operating pressure and is indicative only. The cleaning result is also affected by the type of soiling.

Information on operation

- Operation with compressed air only for short-term usage. Operation above the recommended operating pressure means higher wear and smaller droplets. This might have adverse effects on the cleaning result.

Slip-on information

- R-clip is included. Mat. no. 1Y: R-clip made of stainless steel 316L SS (Ordering no. 095.022.1Y.50.60). Mat. no. 21: R-clip made of Hastelloy C22 (Ordering no. 095.022.21.50.60)
- Depending on diameter of the adapter the flow rate can increase due to leakage between connecting pipe and rotating cleaning nozzle.

Example of ordering with ATEX-approval. FDA and (EC) 1935/2004 conform.
Only material 316L SS available with ATEX-approval.

Unit group / category / zones:
II 1 GD c IIB TX

Specific operating instructions TX:
T_a 4°C to 120°C
T_{medium} 4°C to 95°C

Example Type + Mat. no. + Connection = Ordering no.
of Ordering: 5MI.162 + 1Y + AL = 5MI.162.1Y.AL.EX

Example of ordering with FDA and (EC) 1935/2004 conformity.

All Materials are suitable for contact with food.

Example Type + Mat. no. + Connection = Ordering no.
of Ordering: 5MI.162 + 1Y + AL = 5MI.162.1Y.AL

Attention: for the ATEX version of the slip-on connection the code for the connection changes. Example of ordering slip-on connection: 5MI.162.1Y.TF.EX