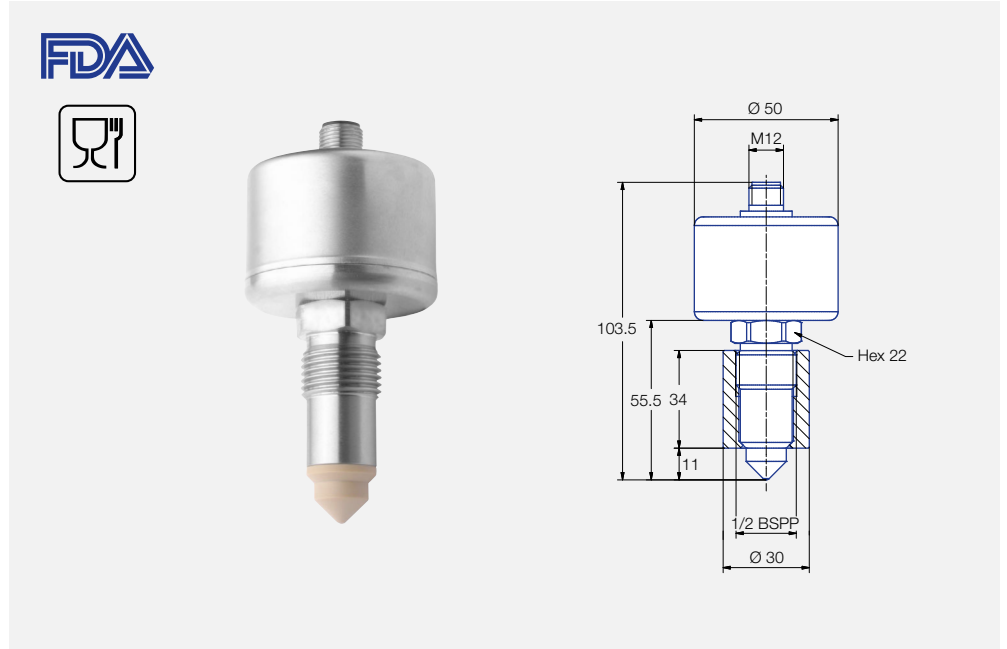




Rotation Monitoring Sensor

Cleaning processes can be easily and reliably monitored with the Lechler rotation monitoring sensor. The sensor records the quantity of liquid flowing over the sensor tip. With the aid of the software*, the sensor function can be specifically adjusted to the tank size, pressure and nozzle.



Electrical data

- Supply voltage: $U_b = 24\text{ V} \pm 20\%$ (18 to 32 VDC)
- Power requirements: $< 20\text{ mA}$
- Output signal: PNP, 50 mA short circuit protected, active

Operating conditions

- Ambient temperature: -10°C up to $+60^\circ\text{C}$
- Process temperature: 0° up to $+100^\circ\text{C}$

Materials

- Socket (G 1/2"): 316L SS
- Probe tip: PEEK
- Body: 303 SS

Operating principle

- Capacitive

Advantages

- Reliable recognition of any faults during the cleaning cycle
- The process connection of the sensor is in compliance with the hygiene guidelines of the EHEDG
- Simple operation
- Can be connected to PLC
- Only needs to be set up once using the software provided
- Can be specifically adapted to each cleaning task



Ordering data

Rotation monitoring sensor with weld-in sleeve
Cable set for first-time operation

Ordering no.

050.040.00.00.00
050.040.00.00.01.0

Rotation monitoring sensor with weld-in sleeve



Cable set for first-time operation/installation



Main adapter with cable

USB adapter with cable

Programming adapter Y-piece

Weld-in mandrel

* Software download (free of charge): www.lechler.com/software/rotationcontrolsystem