



Tangential-flow hollow cone nozzles

Plastic version

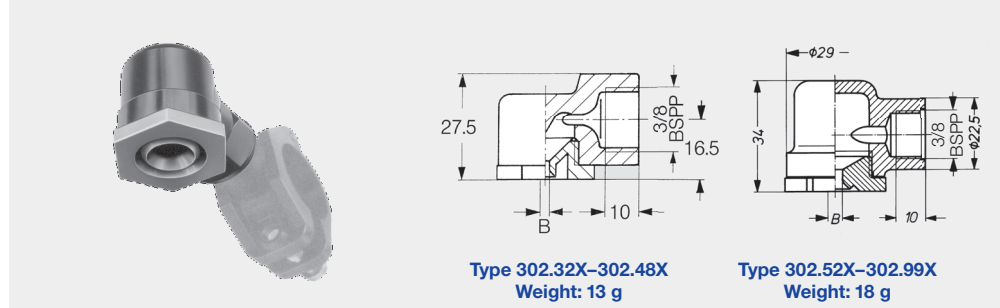
Series 302





Uniform hollow cone spray. Non-clogging nozzle, without swirl insert.

Applications:

Humidification of air in air washers, dust control, spraying onto filters, foam control, cooling.



Spray angle 	Ordering no.				B Ø [mm]	E Ø [mm]	V̇ [l/min]						Spray diameter D at p = 2 bar 	
	Type	Mat. no.					p [bar]						H = 250 mm	H = 500 mm
		5E	51	53			0.5	1.0	2.0	3.0	5.0	10.0		
		PVDF	PA	PP										
60°	302.364	-	○	○	1.50	1.50	0.31	0.45	0.63	0.77	1.00	1.41	200	350
	302.464	-	○	○	3.80	1.95	0.70	0.99	1.40	1.71	2.21	3.13	300	560
90°	302.326	○	○	-	1.20	0.90	0.20	0.28	0.40	0.49	0.63	0.89	400	700
	302.366	○	○	-	2.10	1.30	0.31	0.45	0.63	0.77	1.00	1.41	400	880
	302.406	○	○	-	2.60	1.40	0.50	0.71	1.00	1.22	1.58	2.24	400	880
	302.486	-	○	○	2.60	2.60	0.80	1.13	1.60	1.96	2.53	3.58	400	880
	302.526	-	○	○	5.00	2.00	1.00	1.41	2.00	2.45	3.16	4.47	400	880
	302.566	-	○	○	5.00	2.40	1.25	1.77	2.50	3.06	3.95	5.59	400	880
	302.606	-	○	○	5.00	3.20	1.57	2.23	3.15	3.86	4.98	7.04	450	950
	302.686	-	○	-	7.50	3.40	2.50	3.45	5.00	6.12	7.91	11.18	500	1050
	302.766	-	○	-	9.00	4.30	4.00	5.66	8.00	9.80	12.65	17.89	500	1050
	302.846	-	○	○	11.00	5.20	6.25	8.84	12.50	15.31	19.67	27.95	550	1130
	302.886	○	○	○	11.00	6.40	8.00	11.31	16.00	19.60	25.30	35.78	550	1130
302.966	-	○	-	11.00	8.60	12.50	17.68	25.00	30.62	39.53	55.90	550	1130	
130°	302.328	○	-	-	1.35	0.80	0.20	0.28	0.40	0.49	0.63	0.89	700	1380
	302.368	○	○	-	1.85	1.10	0.31	0.45	0.63	0.77	1.00	1.41	700	1380
	302.408	○	○	-	3.65	1.30	0.50	0.71	1.00	1.22	1.58	2.24	700	1380
	302.488	-	○	○	5.20	1.60	0.80	1.13	1.60	1.96	2.53	3.58	700	1380
	302.528	-	○	-	5.00	2.00	1.00	1.41	2.00	2.45	3.16	4.47	700	1380
	302.568	-	○	-	5.00	2.40	1.25	1.77	2.50	3.06	3.95	5.59	780	1520
	302.608	○	○	○	5.00	3.20	1.57	2.23	3.15	3.86	4.98	7.04	780	1520
	302.648	-	○	-	7.50	3.00	2.00	2.83	4.00	4.90	6.32	8.94	950	1850
	302.688	-	○	-	7.50	3.40	2.50	3.54	5.00	6.12	7.91	11.18	950	1850
	302.728	-	○	-	7.50	4.10	3.15	4.45	6.30	7.72	9.96	14.09	950	1850
	302.768	-	○	-	9.00	4.30	4.00	5.66	8.00	9.80	12.65	17.89	950	1850
	302.848	-	○	-	11.00	5.20	6.25	8.84	12.50	15.31	19.76	27.95	950	1850
	302.888	-	○	○	11.00	6.40	8.00	11.31	16.00	19.60	25.30	35.78	950	1850
302.968	○	○	-	11.00	8.60	12.50	17.68	25.00	30.62	39.53	55.90	950	1850	

B = bore diameter · E = narrowest free cross section

Example for ordering	Type	+	Material no.	=	Ordering no.
	302.364	+	51	=	302.364.51

The folded page at the end of the catalogue will give you a survey on the various assembly possibilities. For complete assembly accessories, please refer to »Accessories«.