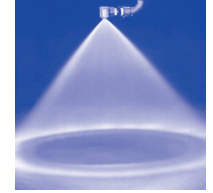




Tangential-flow hollow cone nozzles

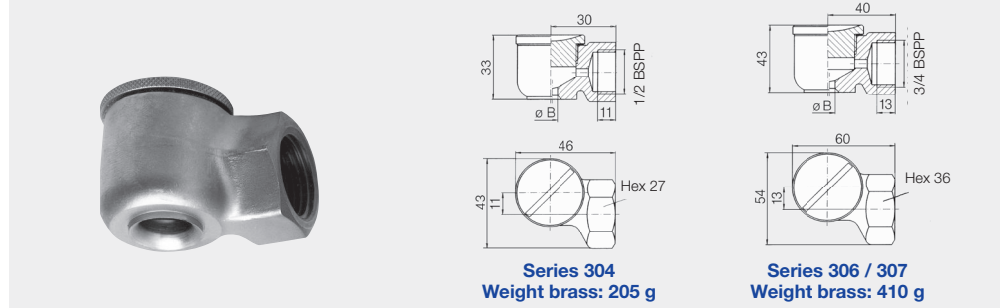
Series 304 / 306 / 307





Uniform hollow cone spray. Non-clogging nozzle, without swirl insert.

Applications:

Fire fighting, protection of storage tanks, foam control.



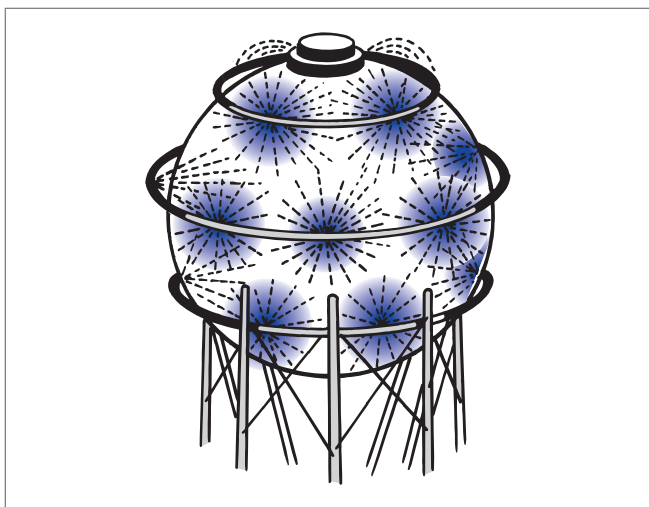
Hollow cone nozzles

Spray angle 	Ordering no.		G	B Ø [mm]	E Ø [mm]	V̇ [l/min]								Spray diameter D at p = 2 bar 		
	Type	Mat. no.				p [bar]								H = 250 mm	H = 500 mm	
		30				1Y	0.5	1.0	2.0	3.0	5.0	7.0	10.0			
90°	304.706	○	○	1/2	5.10	5.10	2.80	3.96	5.60	6.86	8.85	10.47	12.52	450	750	
	304.796	○	○	1/2	8.90	6.00	4.75	6.72	9.50	11.64	15.02	17.77	21.24	450	750	
	306.906	○	○	3/4	9.00	9.00	9.00	12.73	18.00	22.05	28.46	33.68	40.25	470	850	
	306.976	○	○	3/4	13.50	10.00	13.25	18.74	26.50	32.46	41.90	49.58	59.26	470	850	
130°	304.818	○	-	1/2	12.00	5.00	5.30	7.50	10.60	12.98	16.76	19.83	23.70	1400	1800	
	304.898	○	○	1/2	12.00	7.00	8.50	12.02	17.00	20.82	26.88	31.80	38.01	1400	1800	
	306.978	○	-	3/4	19.00	7.30	13.25	18.74	26.50	32.46	41.90	49.58	59.25	1450	2400	
	307.018	○	○	3/4	19.00	8.60	16.75	23.69	33.50	41.03	52.97	62.67	74.91	1450	2400	

B = bore diameter · E = narrowest free cross section

Example for ordering:	Type	+	Material no.	=	Ordering no.
	304.706	+	30	=	304.706.30

The folded page at the end of the catalogue will give you a survey on the various assembly possibilities. For complete assembly accessories, please refer to »Accessories«.



Fire protection on spherical storage tank.