



Tangential-flow full cone nozzles

Plastic version

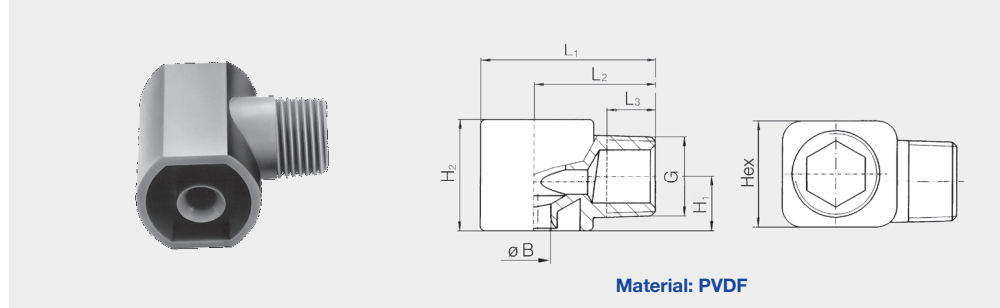
Series 422 / 423



Tangentially arranged liquid supply. Without swirl inserts. Non-clogging. Stable spray angle. Uniform spray.

Applications:

Cleaning and washing processes, surface spraying, bottle cleaning, keg cleaning, sausage showers, foam control, degassing, pasteurization.



Material: PVDF

Dimensions [mm]							Weight
G	L ₁	L ₂	L ₃	H ₁	H ₂	Hex	
1/4 BSPT	28.0	20.0	9.8	8.0	16.0	16.0	7 g
3/8 BSPT	36.0	25.0	10.1	11.2	23.0	22.0	16 g
1/2 BSPT	49.5	33.5	13.2	19.2	38.0	32.0	40 g
3/4 BSPT	58.5	38.5	18.5	24.5	50.0	41.0	50 g

Spray angle	Ordering no.					B Ø [mm]	E Ø [mm]	V̇ [l/min]						Spray diameter D at p = 1-10 bar			
	Type	Mat. no.	Code					p [bar]						H = 200 mm	H = 500 mm		
		5E	PVDF	1/4 BSPT	3/8 BSPT			1/2 BSPT	3/4 BSPT	0.5	1.0	2.0	US [gal/min] at 40 psi			3.0	5.0
60°	422.724	○	-	CE	-	-	3.60	3.60	3.15	4.45	6.30	1.95	7.72	9.96	14.09	225	510
90°	422.406	○	CC	-	-	-	1.50	1.45	0.50	0.71	1.00	0.31	1.22	1.58	2.24	380	860
	422.566	○	CC	-	-	-	2.30	2.20	1.25	1.77	2.50	0.78	3.06	3.95	5.59	380	860
	422.606	○	-	CE	-	-	2.60	2.50	1.57	2.23	3.15	0.98	3.86	4.98	7.04	380	860
	422.646	○	-	CE	-	-	3.00	2.90	2.00	2.83	4.00	1.24	4.90	6.32	8.94	390	960
	422.726	○	-	CE	-	-	3.70	3.60	3.15	4.45	6.30	1.95	7.72	9.96	14.09	390	960
	422.806	○	-	CE	-	-	4.65	4.60	5.00	7.07	10.00	3.10	12.25	15.81	22.36	390	960
	422.846	○	-	CE	-	-	5.30	5.30	6.25	8.84	12.50	3.88	15.31	19.76	27.95	390	960
	422.886	○	-	CE	-	-	5.80	6.00	8.00	11.31	16.00	4.96	19.60	25.30	35.78	390	960
	422.926	○	-	-	CG	-	7.30	7.30	10.00	14.14	20.00	6.20	24.49	31.62	44.72	390	960
	422.966	○	-	-	CG	-	8.00	8.00	12.50	17.68	25.00	7.75	30.62	39.53	55.90	390	960
423.006	○	-	-	CG	-	8.70	8.70	15.75	22.27	31.50	9.77	38.58	49.81	70.44	390	960	
423.126	○	-	-	-	CK	12.00	12.00	31.50	44.55	63.00	19.54	77.16	99.61	140.87	390	960	
120°	422.408	○	CC	-	-	-	1.50	1.45	0.50	0.71	1.00	0.31	1.22	1.58	2.24	680	1220
	422.448	○	CC	-	-	-	1.65	1.60	0.62	0.88	1.25	0.39	1.53	1.98	2.80	680	1220
	422.488	○	CC	-	-	-	1.90	1.90	0.80	1.13	1.60	0.50	1.96	2.53	3.58	680	1220
	422.568	○	CC	-	-	-	2.40	2.40	1.25	1.77	2.50	0.78	3.06	3.95	5.59	680	1220
	422.728	○	-	CE	-	-	4.00	3.90	3.15	4.45	6.30	1.95	7.72	9.96	14.09	680	1600
	422.888	○	-	CE	-	-	6.60	6.00	8.00	11.31	16.00	4.96	19.60	25.30	35.78	680	1600
	422.968	○	-	-	CG	-	8.00	8.00	12.50	17.68	25.00	7.75	30.62	39.53	55.90	680	1600
	423.008	○	-	-	CG	-	8.70	8.70	15.75	22.27	31.50	9.77	38.58	49.81	70.44	680	1600
	423.128	○	-	-	-	CK	12.70	12.30	31.50	44.55	63.00	19.54	77.16	99.61	140.87	680	1600

B = bore diameter · E = narrowest free cross section

Example of ordering:	Type	+	Material-no.	+	Code	=	Ordering no.
	422.724	+	5E	+	CE	=	422.724.5E.CE

The folded page at the end of the catalogue will give you a survey on the various assembly possibilities. For complete assembly accessories, please refer to »Accessories«.