

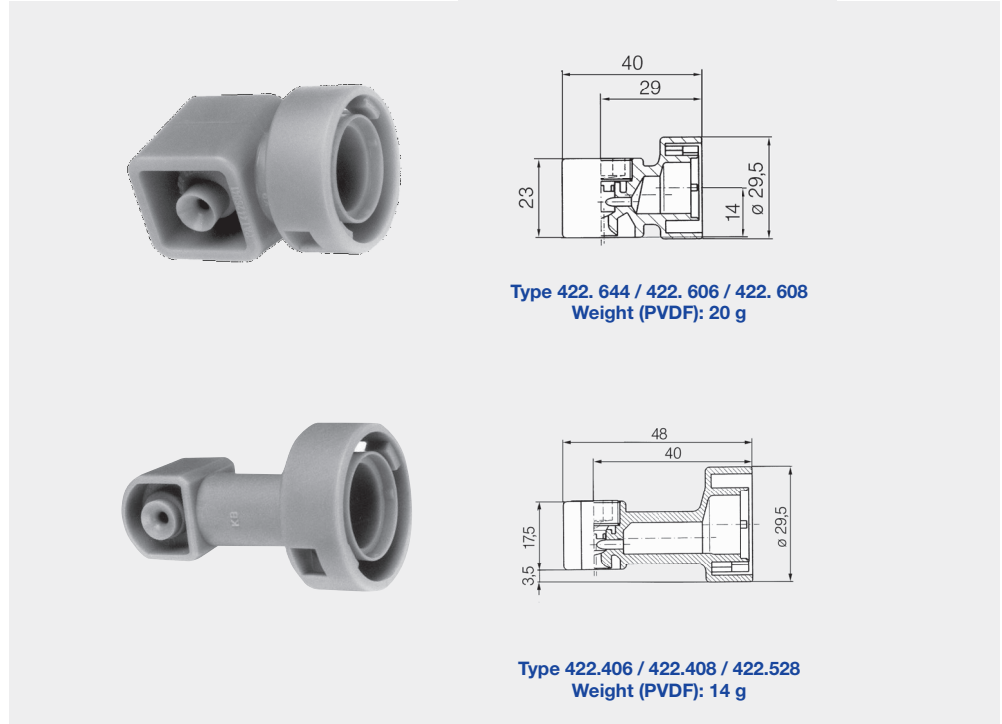


Tangential-flow full cone nozzles Bayonet quick-release system Series 422

Quick and safe assembly, without tool. Space-saving installation. Non-clogging and maintenance-free. High resistance to temperatures and chemicals.

Applications:



Cleaning problems, cooling process, foam control.



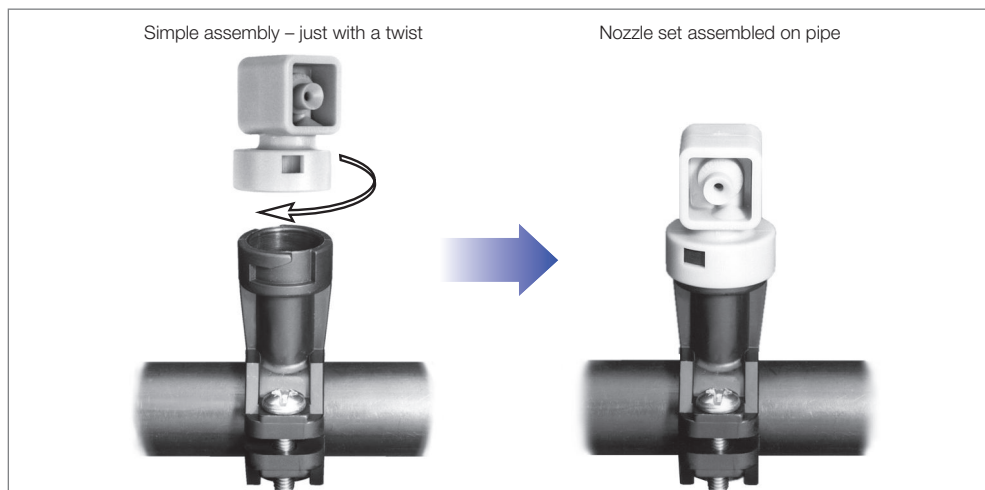
Type 422.644 / 422.606 / 422.608
Weight (PVDF): 20 g

Type 422.406 / 422.408 / 422.528
Weight (PVDF): 14 g

Full cone nozzles

Spray angle 	Ordering no.				B Ø [mm]	E Ø [mm]	V̇ [l/min]								Spray diameter D at p = 1-10 bar 	
	Type	Mat. no.		Code			p [bar]								H = 200 mm	H = 500 mm
		PVDF	PP				5E	53	Bayonet quick-release	0.5	1.0	2.0	US [gal/min] at 40 psi	3.0		
60°	422.644	-	○	KB	2.90	2.90	2.00	2.83	4.00	1.24	4.90	6.32	8.94	225	510	
90°	422.406	○	-	KB	1.50	1.45	0.50	0.71	1.00	0.31	1.22	1.58	2.24	380	860	
	422.606	○	-	KB	2.60	2.50	1.57	2.23	3.15	0.98	3.86	4.98	7.04	380	860	
120°	422.408	○	-	KB	1.50	1.45	0.50	0.71	1.00	0.31	1.22	1.58	2.24	680	1220	
	422.528	○	-	KB	2.10	2.00	1.00	1.41	2.00	0.62	2.45	3.16	4.47	680	1220	
	422.608	○	-	KB	2.60	2.50	1.57	2.23	3.15	0.98	3.86	4.98	7.04	680	1600	

B = bore diameter · E = narrowest free cross section



The folded page at the end of the catalogue will give you a survey on the various assembly possibilities. For complete assembly accessories, please refer to »Accessories«.

Conversion formula for the above series: $\dot{V}_2 = \dot{V}_1 \cdot \sqrt{\frac{p_2}{p_1}}$