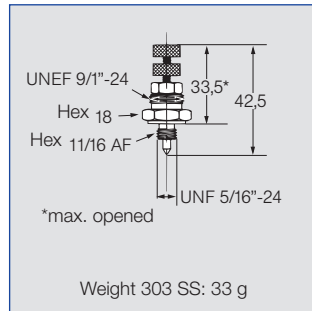
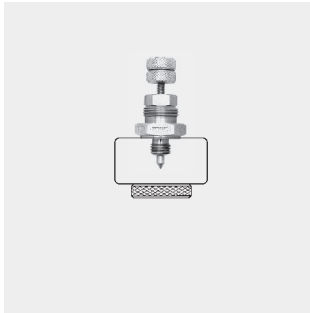




Accessories for pneumatic atomizing nozzles

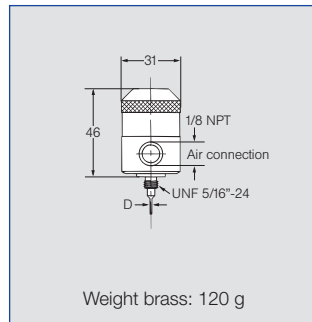
Series 136.1 - 136.6

Regulating device and shutting-off needle:



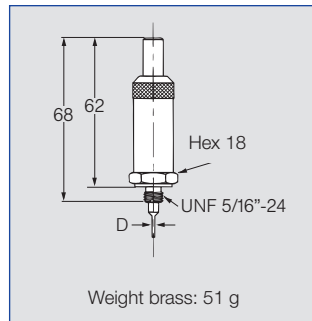
Ordering no.		For all nozzles of the series 136
Type	Mat. no.	
	16	
	303 SS	
015.600	○	

Pneumatically controlled valve Opening pressure 2.1 bar, max. 180 cycles/min.



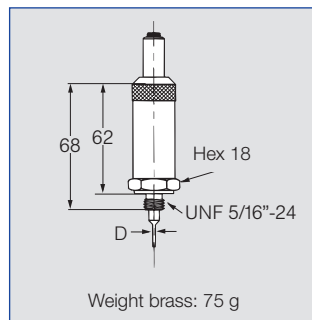
Ordering no.		For nozzles	Needle diameter D [mm]
Type	Mat. no.		
	16		
	303 SS		
	Brass plated		
013.601.xx.10	○ ○	136.xx1	2.1
013.602.xx.10	○ ○	136.xx2	1.2
013.603.xx.10	○ ○	136.xx3	0.8
013.604.xx.10	○ ○	136.xx4	0.6
013.605.xx.10	○ ○	136.xx5	0.4
013.606.xx.10	○ ○	136.xx6	0.3

Quick-cleaning device



Ordering no.		For nozzles	Needle diameter D [mm]
Type	Mat. no.		
	16		
	303 SS		
	Brass plated		
013.601.xx.20	○ ○	136.xx1	2.1
013.602.xx.20	○ ○	136.xx2	1.2
013.603.xx.20	○ ○	136.xx3	0.8
013.604.xx.20	○ ○	136.xx4	0.6
013.605.xx.20	○ ○	136.xx5	0.4
013.606.xx.20	○ ○	136.xx6	0.3

Regulating device with quick-cleaning needle



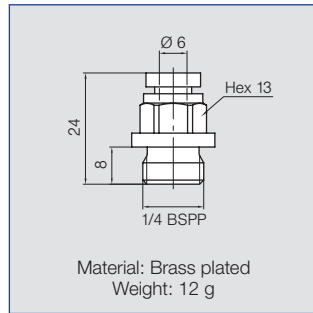
Ordering no.		For nozzles	Needle diameter D [mm]
Type	Mat. no.		
	16		
	303 SS		
	Brass plated		
013.601.xx.30	○ ○	136.xx1	2.1
013.602.xx.30	○ ○	136.xx2	1.2
013.603.xx.30	○ ○	136.xx3	0.8
013.604.xx.30	○ ○	136.xx4	0.6
013.605.xx.30	○ ○	136.xx5	0.4
013.606.xx.30	○ ○	136.xx6	0.3

Example Type + Material no. (xx) = Ordering no.
for ordering: 013.601.xx.10 + 16 = 013.601.16.10



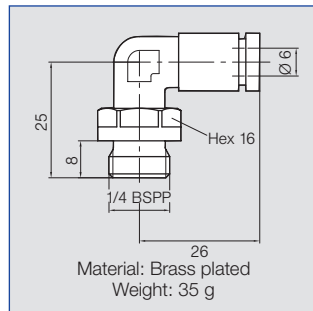
Accessories for pneumatic atomizing nozzles Series 136 and 166

Screwed connection for hose diameter 6 mm



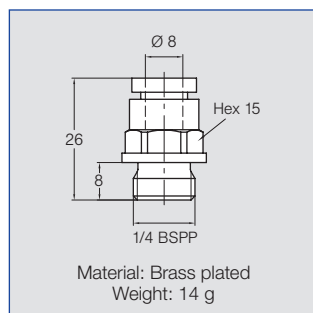
Ordering no.	For all nozzles of the series 136 and 166
095.016.35.11.79.0	

Angled screwed connection for hose diameter 6 mm



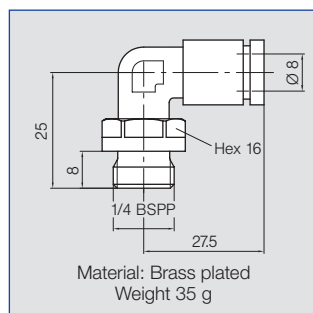
Ordering no.	For all nozzles of the series 136 and 166
095.016.35.13.13.0	

Screwed connection for hose diameter 8 mm



Ordering no.	For all nozzles of the series 136 and 166
095.016.35.11.80.0	

Angled screwed connection for hose diameter 8 mm



Ordering no.	For all nozzles of the series 136 and 166
095.016.35.13.14.0	