



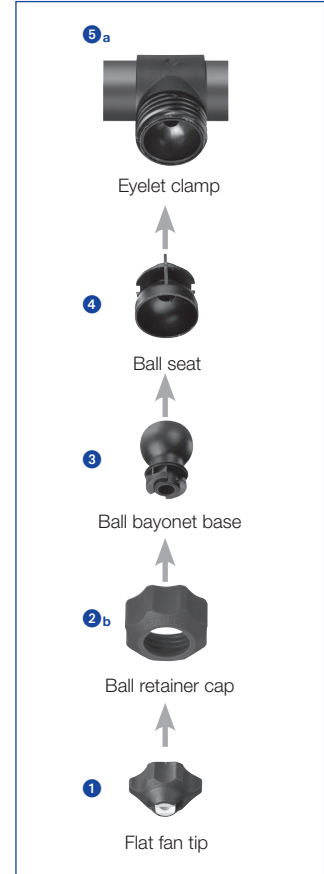
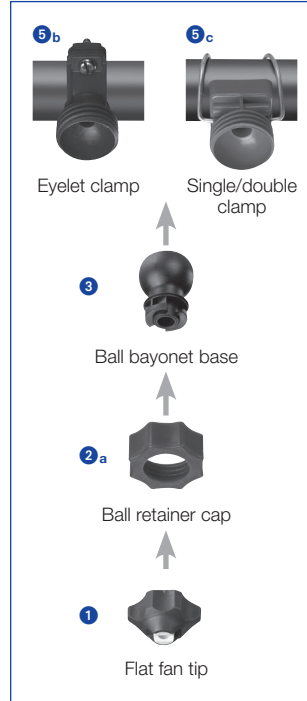
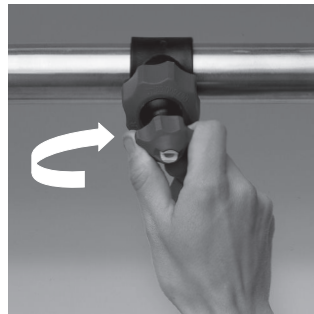
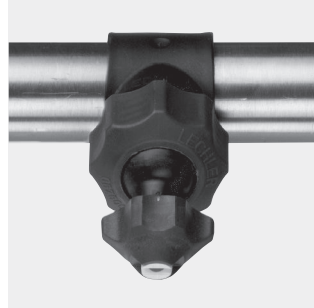
Nozzle systems for surface technology MEMOSPRAY® nozzle system



Maintaining of the adjusted spray direction by the »memory effect«.
Very easy handling without the need for special tools. Especially pressure resistant pipe connector.

Application:

Degreasing, phosphating in surface treatment, cleaning.



Type	Ordering no.	Material no.				E Ø [mm]	Flow rate [l/min] at p [bar]					Weight [g]				
		8F Housing: PP Insert: 303 SS	8R Housing: PP Insert: 316L SS	E8 Housing: PP Insert: ceramic	53 Polypropylene (PP)		1.0	1.5	2.0	2.5	5.0	PP / 3016T SS	PP / 316L SS	PP / Ceramic	PP	
1 Flat fan nozzle	30°	676.642.xx.40	○	○	-	-	1.6	2.83	3.46	4.00	4.47	6.33	15	15	-	-
	30°	676.722.xx.40	○	○	-	-	2.1	4.46	5.46	6.30	7.04	9.96	15	15	-	-
	30°	676.762.xx.40	○	○	-	-	2.3	5.66	6.93	8.00	8.94	12.65	15	15	-	-
	30°	676.802.xx.40	○	○	-	-	2.6	7.07	8.66	10.00	11.18	15.81	15	15	-	-
	30°	676.842.xx.40	○	○	-	-	3.0	8.84	10.82	12.50	13.97	19.76	15	15	-	-
	30°	676.882.xx.40	○	○	-	-	3.4	11.31	13.86	16.00	17.89	25.30	15	15	10	8
	30°	676.922.xx.40	○	○	-	-	4.1	14.14	17.32	20.00	22.36	31.62	15	15	10	8
	30°	676.962.xx.40	○	○	-	-	4.2	17.68	21.65	25.00	27.95	39.53	15	15	10	8
	30°	677.002.xx.40	○	○	-	-	4.7	22.27	27.28	31.50	35.22	49.81	15	-	-	-
1 Flat fan nozzle	60°	676.644.xx.40	○	○	-	-	1.6	2.83	3.46	4.00	4.47	6.33	15	15	-	-
	60°	676.724.xx.40	○	○	-	-	2.1	4.46	5.46	6.30	7.04	9.96	15	15	-	-
	60°	676.764.xx.40	○	○	-	-	2.3	5.66	6.93	8.00	8.94	12.65	15	15	-	-
	60°	676.804.xx.40	○	○	-	-	2.6	7.07	8.66	10.00	11.18	15.81	15	15	-	-
	60°	676.844.xx.40	○	○	-	-	3.0	8.84	10.82	12.50	13.97	19.76	15	15	-	-
	60°	676.884.xx.40	○	○	○	○	3.4	11.31	13.86	16.00	17.89	25.30	15	15	10	8
	60°	676.924.xx.40	○	○	○	○	4.1	14.14	17.32	20.00	22.36	31.62	15	15	10	8
	60°	676.964.xx.40	○	○	○	○	4.2	17.68	21.65	25.00	27.95	39.53	15	15	10	8
	60°	677.004.xx.40	○	○	○	○	4.7	22.27	27.28	31.50	35.22	49.81	15	15	10	8
	60°	677.044.xx.40	○	○	-	-	5.5	28.28	34.64	40.00	44.72	63.25	15	15	-	-
	60°	677.084.xx.40	○	○	-	-	6.2	35.36	43.30	50.00	55.90	79.06	15	15	-	-



Continued on next page.



Nozzle systems for surface technology

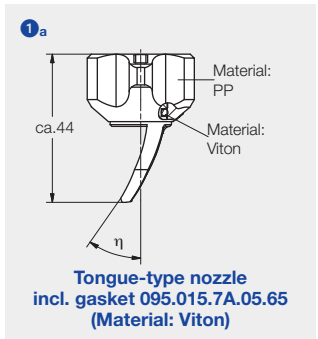
MEMOSPRAY® nozzle system



Type		Ordering no.	Material no.				E Ø [mm]	Flow rate [l/min] at p [bar]					Weight [g]			
			8F Housing: PP Insert: 303 SS	8R Housing: PP Insert: 316L SS	E8 Housing: PP Insert: ceramic	53 Polypropylene (PP)		1.0	1.5	2.0	2.5	5.0	PP / 316Ti SS	PP / 316L SS	PP / Ceramic	PP
1 Flat fan nozzle	90°	676.646.xx.40	○	○	-	-	1.6	2.83	3.46	4.00	4.47	6.33	15	15	-	-
	90°	676.726.xx.40	○	○	-	-	2.1	4.46	5.46	6.30	7.04	9.96	15	15	-	-
	90°	676.766.xx.40	○	○	-	-	2.3	5.66	6.93	8.00	8.94	12.65	15	15	-	-
	90°	676.806.xx.40	○	○	-	-	2.6	7.07	8.66	10.00	11.18	15.81	15	15	-	-
	90°	676.846.xx.40	○	○	-	-	3.0	8.84	10.82	12.50	13.97	19.76	15	15	-	-
	90°	676.886.xx.40	○	○	-	-	3.4	11.31	13.86	16.00	17.89	25.30	15	15	-	-
	90°	676.926.xx.40	○	○	-	-	4.1	14.14	17.32	20.00	22.36	31.62	15	15	-	-
1 Flat fan nozzle	120°	676.647.xx.40	○	○	-	-	1.6	2.83	3.46	4.00	4.47	6.33	15	15	-	-
	120°	676.727.xx.40	○	○	-	-	2.1	4.46	5.46	6.30	7.04	9.96	15	15	-	-
	120°	676.767.xx.40	○	○	-	-	2.3	5.66	6.93	8.00	8.94	12.65	15	15	-	-
	120°	676.807.xx.40	○	○	-	-	2.6	7.07	8.66	10.00	11.18	15.81	15	15	-	-
	120°	676.847.xx.40	○	○	-	-	3.0	8.84	10.82	12.50	13.97	19.76	15	15	-	-
	120°	676.887.xx.40	○	○	-	-	3.4	11.31	13.86	16.00	17.89	25.30	15	15	-	-
Blind nozzle	-	067.630.8F.40.01	○	-	-	-	-	-	-	-	-	-	15	-	-	-



Type		η	Ordering no.	Material no.		E Ø [mm]	Flow rate [l/min] at p [bar]					Weight [g]	
				8F Housing: PP Insert: 316L SS	53 PVDF		1.0	1.5	2.0	2.5	5.0	PP / 316L SS	PVDF
1a Tongue-type nozzle	90°	35°	676.803.xx.41	○	-	3.4	7.07	8.66	10.00	11.18	15.81	25	-
	90°	35°	676.874.xx.41	○	-	4.2	10.61	12.99	15.00	16.77	23.72	25	-
	90°	35°	676.924.xx.41	○	-	4.7	14.14	17.32	20.00	22.36	31.62	25	-
	90°	40°	677.005.xx.41	○	○	6.0	22.27	27.28	31.50	35.22	49.81	25	11



E = Narrowest free cross section

Example	Type	+	Material no.	=	Ordering no.
of ordering:	676.646.xx.40	+	8R	=	676.646.8R.40

Conversion formula for the above series: $\dot{V}_2 = \dot{V}_1 * \sqrt{\frac{p_2}{p_1}}$



Nozzle systems for surface technology

MEMOSPRAY® nozzle system



Type	Ordering no.	Material no.		Spigot- Ø B _R	Recommended bore-Ø	For pipe-Ø	Weight [g]
		53 Polypropylene (PP)	6M PP reinforced				
2 ^a Ball retainer cap	092.080.xx.00.02	○	-				18
2 ^b Ball retainer cap	067.600.xx.40	○	-				18
3 Ball bayonet base	067.630.xx.40	○	-				12
4 Ball seat for Ball eyelet clamp no.	067.631.xx.40.22	-	○	13.8 mm	14.0-14.3 mm	1 1/4" (40.0-43.0 mm)	9
	067.631.xx.40.02	-	○	16.0 mm	16.5-17.0 mm	1 1/4" (40.0-43.0 mm)	11
	067.631.xx.40.00.0	-	○	19.8 mm	20.3-20.8 mm	1 1/4" (40.0-43.0 mm)	13
Ball seat for Ball eyelet clamp no.	067.631.xx.50.22	-	○	13.8 mm	14.0-14.3 mm	1 1/2" (46.0-49.0 mm)	9
	067.631.xx.50.02	-	○	16.0 mm	16.5-17.0 mm	1 1/2" (46.0-49.0 mm)	11
	067.631.xx.50.00.0	-	○	19.8 mm	20.3-20.8 mm	1 1/2" (46.0-49.0 mm)	13
5 ^a Eyelet clamp	067.631.xx.40.00	○	-	-	-	1 1/4" (40.0-43.0 mm)	31
	067.631.xx.50.00	○	-	-	-	1 1/2" (46.0-49.0 mm)	33
5 ^b Eyelet clamp	090.023.xx.44.10	○	-	13.8 mm	14.0-14.3 mm	1" (32.0-34.5 mm)	48
	090.023.xx.43.10	○	-	16.0 mm	16.5-17.0 mm	1" (32.0-34.5 mm)	48
	090.033.xx.44.10	○	-	13.8 mm	14.0-14.3 mm	1 1/4" (40.0-43.0 mm)	50
	090.033.xx.43.10	○	-	16.0 mm	16.5-17.0 mm	1 1/4" (40.0-43.0 mm)	50
	090.033.xx.40.10	○	-	20.0 mm	20.5-21.0 mm	1 1/4" (40.0-43.0 mm)	50
	090.043.xx.44.10	○	-	13.8 mm	14.0-14.3 mm	1 1/2" (46.0-49.0 mm)	52
	090.043.xx.43.10	○	-	16.0 mm	16.5-17.0 mm	1 1/2" (46.0-49.0 mm)	52
	090.043.xx.40.10	○	-	20.0 mm	20.5-21.0 mm	1 1/2" (46.0-49.0 mm)	52
5 ^c Single clamp*	092.080.xx.00	○	-	16.3 mm	16.5-17.0 mm	1" (32.0-34.5 mm)	36
	092.081.xx.00	○	-	16.3 mm	16.5-17.0 mm	1 1/4" (40.0-43.0 mm)	38
	092.082.xx.00	○	-	16.3 mm	16.5-17.0 mm	1 1/2" (46.0-49.0 mm)	40
	092.083.xx.00	○	-	16.3 mm	16.5-17.0 mm	2" (58.0-62.0 mm)	42

* other bore diameter on request
E = Narrowest free cross section

Example Type + Material no. = Ordering no.
for ordering: 092.080.xx.00.02 + 53 = 092.080.53.00.02

