

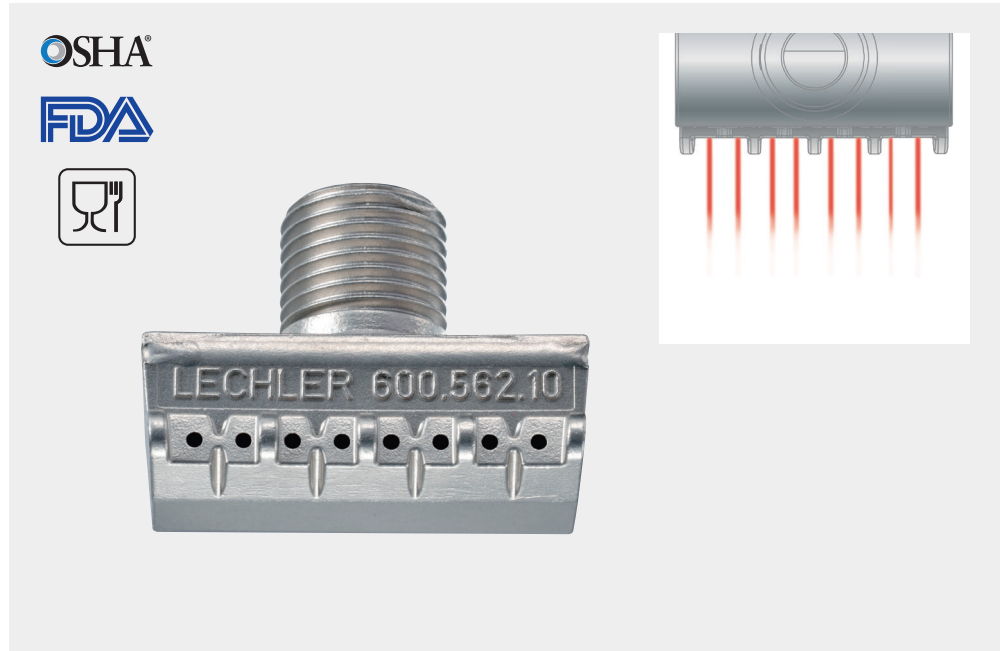


Multi-channel flat jet nozzles for air Whisperblast®, metallic versions Series 600.562.1Y

Series 600.562.1Y

The multi-channel flat jet nozzles of the 600.562 series are ideal for applications with restricted space. In addition, the nozzle material (AISI 316L) makes them resistant to increased pressures and temperatures.

The projecting tips at the nozzle outlet prevent air penetration into human skin. These nozzles comply with the OSHA standards.



Cost savings

8%



Noise reduction

14%



Material

Stainless steel
AISI 316L



Blowing force

1.2 N at 2 bar



Noise level

71 db(A) at 2 bar



Air consumption

$V_{LN}=9 \text{ m}^3/\text{h}$ at 2 bar



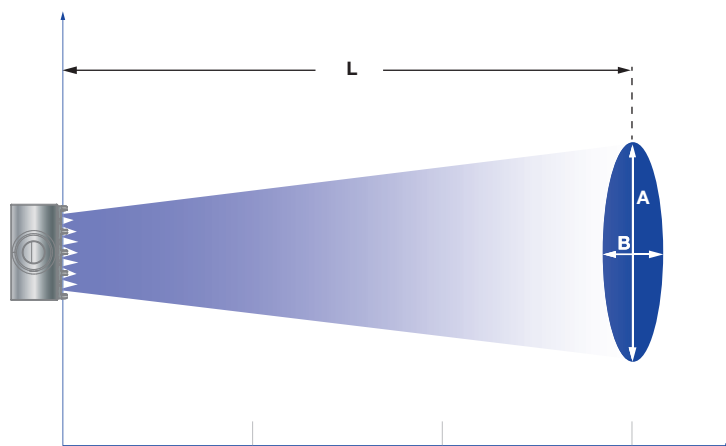
Pressure

$p_{\text{max}} = 30 \text{ bar}$



Max. temperature

180 °C

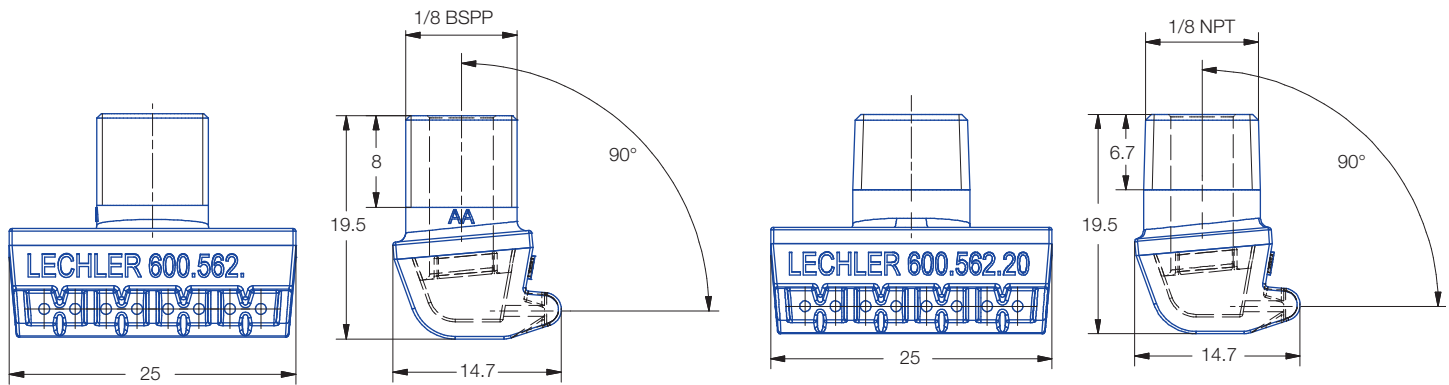


Jet pattern of 600.562 nozzle series

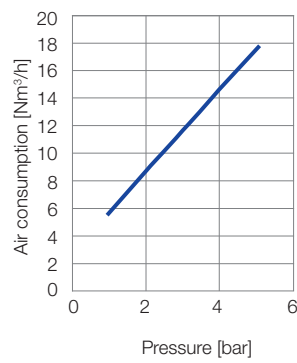
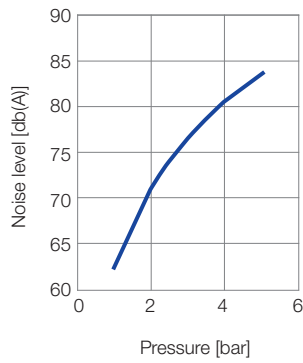
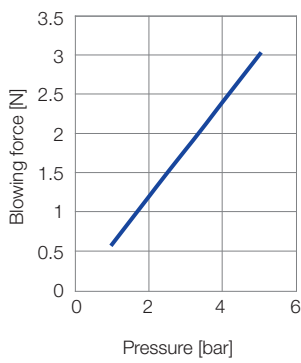
Pressure:	1 bar	3 bar	5 bar
Distance L [mm]:	510	850	900

Jet dimensions at L

A [mm]:	114	200	230
B [mm]:	100	155	190



Technical data



Ordering no.			
Type	Mat. no.	Code	
	1Y	1/8 BSPP	1/8 NPT
600.562.	○	10	–
600.562.	○	–	20

Example of ordering: Type + Mat. no. + Code = Ordering no.
 600.562. + 1Y + 10 = 600.562.1Y.10