

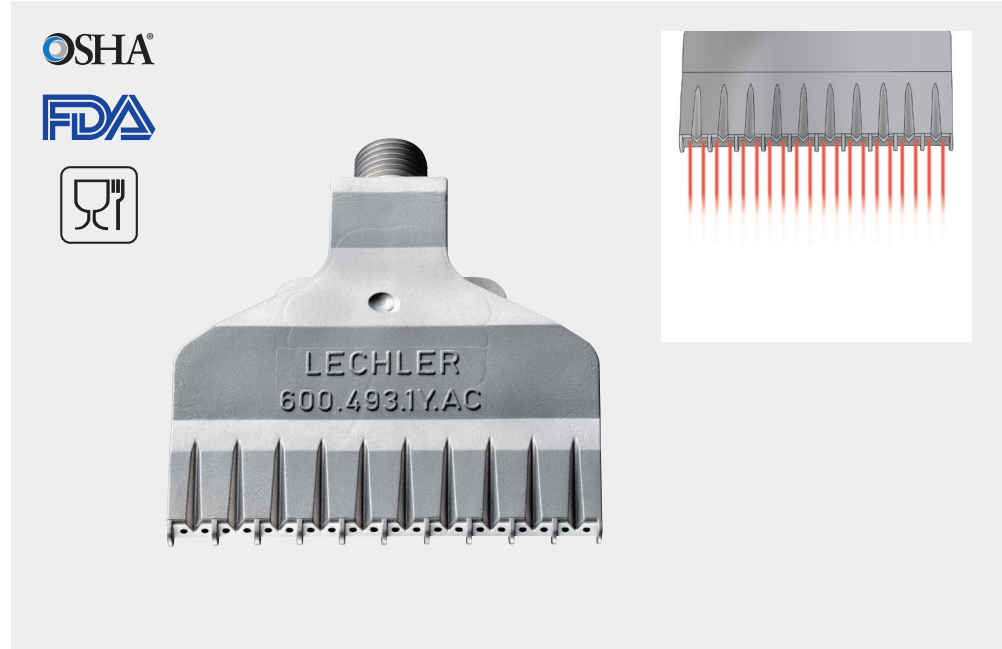


Multi-channel flat jet nozzles for air Whisperblast®, metallic versions Series 600.493.1Y

**Extremely
silent!**

Series 600.493.1Y

The multi-channel flat jet nozzles of the 600.493 series generate an extremely wide, powerful air jet. Since this nozzle is made completely of stainless steel (AISI 316L), it meets even the highest thermal requirements. The projecting tips at the nozzle outlet prevent air penetration into human skin. These nozzles comply with the OSHA standards.



Cost savings

34%



Noise reduction

21%



Material

Stainless steel
AISI 316L



Blowing force

4.2 N at 2 bar



Noise level

78 db(A) at 2 bar



Air consumption

$V_{LN}=30 \text{ m}^3/\text{h}$ at 2 bar



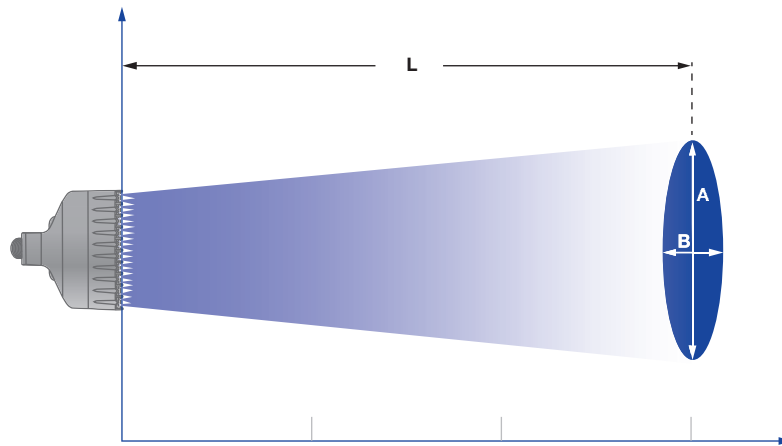
Pressure

$p_{\text{max}} = 30 \text{ bar}$



Max. temperature

550 °C

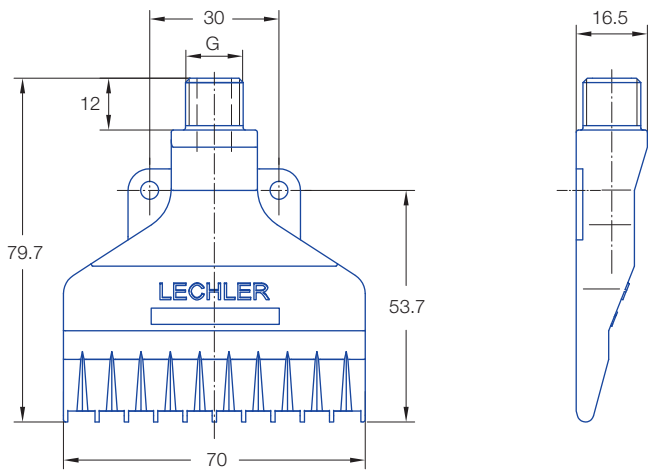


Jet pattern of 600.493 nozzle series

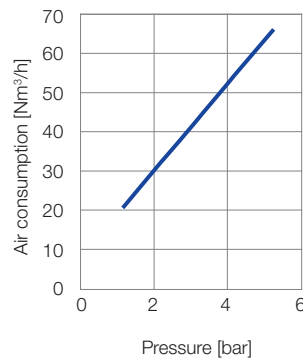
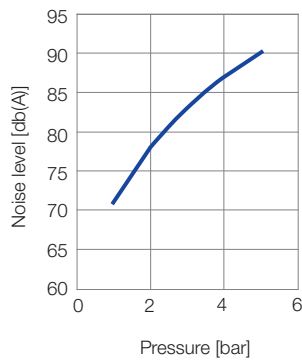
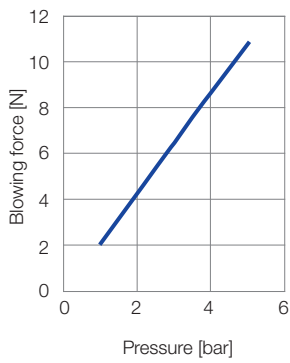
Pressure:	1 bar	3 bar	5 bar
Distance L [mm]:	900	900	900

Jet dimensions at L

A [mm]:	210	240	270
B [mm]:	210	210	280



Technical data



Ordering no.			
Type	Mat. no.	Code	
	Stainless steel AISI 316L	1Y	1/4 BSPP
600.493	○	AC	BC

Example of ordering: **Type** + **Mat. no.** + **Code** = **Ordering no.**
600.493. + **1Y** + **AC** = **600.493.1Y.AC**