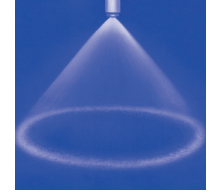




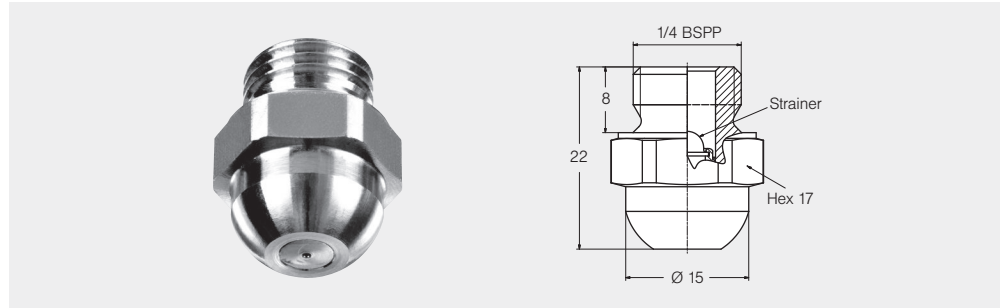
Axial-flow hollow cone nozzles Series 220





Extremely fine, fog-like hollow cone spray.

Applications:

Disinfection, humidification, cooling.



Hollow cone nozzles

Spray angle 	Ordering no.				B Ø [mm]	E Ø [mm]	Mesh size [mm]	V̇ [l/min]								Spray diameter D at p = 5 bar  H = 100 mm
	Type	Mat. no.		Code				p [bar]								
		11 430F SS*	1Y 316L SS*					1/4 BSPP	2.0	3.0	5.0	7.0	10.0	20.0	50.0	
60°	220.004	○	○	AC	0.10	0.10	0.04	-	-	0.013	0.015	0.018	0.026	0.041	0.058	100
	220.014	○	○	AC	0.15	0.15	0.04	-	0.015	0.019	0.022	0.027	0.038	0.060	0.085	100
	220.054	○	○	AC	0.20	0.15	0.04	0.017	0.021	0.027	0.032	0.038	0.054	0.085	0.121	100
80°	220.085	○	○	AC	0.25	0.25	0.10	0.025	0.031	0.040	0.047	0.057	0.080	0.126	0.179	140
	220.125	○	○	AC	0.35	0.35	0.10	0.039	0.048	0.062	0.073	0.088	0.124	0.196	0.277	140
	220.145	○	○	AC	0.40	0.40	0.10	0.052	0.064	0.082	0.097	0.116	0.164	0.259	0.367	140
	220.165	○	○	AC	0.45	0.45	0.10	0.065	0.080	0.103	0.122	0.146	0.206	0.326	0.461	140
	220.185	○	○	AC	0.55	0.35	0.20	0.082	0.101	0.130	0.154	0.184	0.260	0.411	0.581	140
	220.205	○	○	AC	0.60	0.35	0.20	0.106	0.130	0.168	0.199	0.238	0.336	0.531	0.751	140
	220.245	○	○	AC	0.70	0.50	0.20	0.165	0.202	0.261	0.309	0.369	0.522	0.825	1.167	140
220.285	○	○	AC	0.90	0.55	0.20	0.247	0.302	0.390	0.461	0.552	0.780	1.233	1.744	140	

B = bore diameter · E = narrowest free cross section

Example Type + Material-no. + Code = Ordering no.
for ordering: 220.004 + 1Y + AC = 220.004.1Y.AC

The integrated strainer avoids clogging of the nozzle and increases its service life.

The folded page at the end of the catalogue will give you a survey on the various assembly possibilities. For complete assembly accessories, please refer to »Accessories«.

*** Materials**

Mat. no.	Housing	Nozzle insert	Strainer
11	430F SS	430F SS	316L SS
1Y	316L SS	316L SS	316L SS

Conversion formula for the above series: $\dot{V}_2 = \dot{V}_1 \cdot \sqrt{\frac{p_2}{p_1}}$