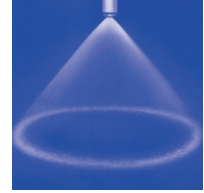




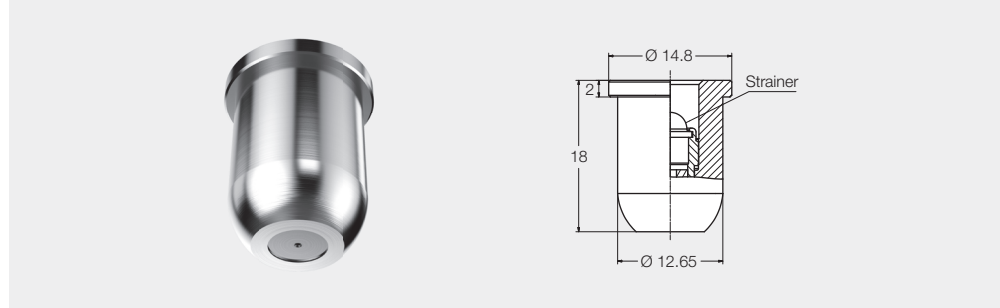
Axial-flow hollow cone nozzles for retaining nut Series 226





Hollow cone nozzle for assembly with retaining nut. Extremely fine, fog-like hollow cone spray.

Applications:

Disinfection, humidification, cooling.



Spray angle 	Ordering no.		B Ø [mm]	E Ø [mm]	Mesh size [mm]	V̇ [l/min]								Spray diameter D at p = 5 bar  H = 100 mm
	Type	Mat. no.				p [bar]								
		16 303 SS*				2.0	3.0	5.0	7.0	10.0	20.0	50.0	100.0	
60°	226.004	○	0.10	0.10	0.04	-	-	0.013	0.015	0.018	0.026	0.041	0.058	100
	226.014	○	0.15	0.15	0.04	-	0.015	0.019	0.022	0.027	0.038	0.060	0.085	100
	226.054	○	0.20	0.15	0.04	0.017	0.021	0.027	0.032	0.038	0.054	0.085	0.121	100
80°	226.085	○	0.25	0.25	0.10	0.025	0.031	0.040	0.047	0.057	0.080	0.126	0.179	140
	226.125	○	0.35	0.35	0.10	0.039	0.048	0.062	0.073	0.088	0.124	0.196	0.277	140
	226.145	○	0.40	0.40	0.10	0.052	0.064	0.082	0.097	0.116	0.164	0.259	0.367	140
	226.165	○	0.45	0.45	0.10	0.065	0.080	0.103	0.122	0.146	0.206	0.326	0.461	140
	226.185	○	0.55	0.35	0.20	0.082	0.101	0.130	0.154	0.184	0.260	0.411	0.581	140
	226.205	○	0.60	0.35	0.20	0.106	0.130	0.168	0.199	0.238	0.336	0.531	0.751	140
	226.245	○	0.70	0.50	0.20	0.165	0.202	0.261	0.309	0.369	0.522	0.825	1.167	140
	226.285	○	0.90	0.55	0.20	0.247	0.302	0.390	0.461	0.552	0.780	1.233	1.744	140

B = bore diameter · E = narrowest free cross section

Example for ordering: Type 226.004 + Material-no. 16 = Ordering no. 226.004.16

The integrated strainer avoids clogging of the nozzle and increases its service life.

The folded page at the end of the catalogue will give you a survey on the various assembly possibilities. For complete assembly accessories, please refer to »Accessories«.

*** Materials**

Mat. no.	Housing	Nozzle insert	Strainer
16	303 SS	430F SS	316L SS