



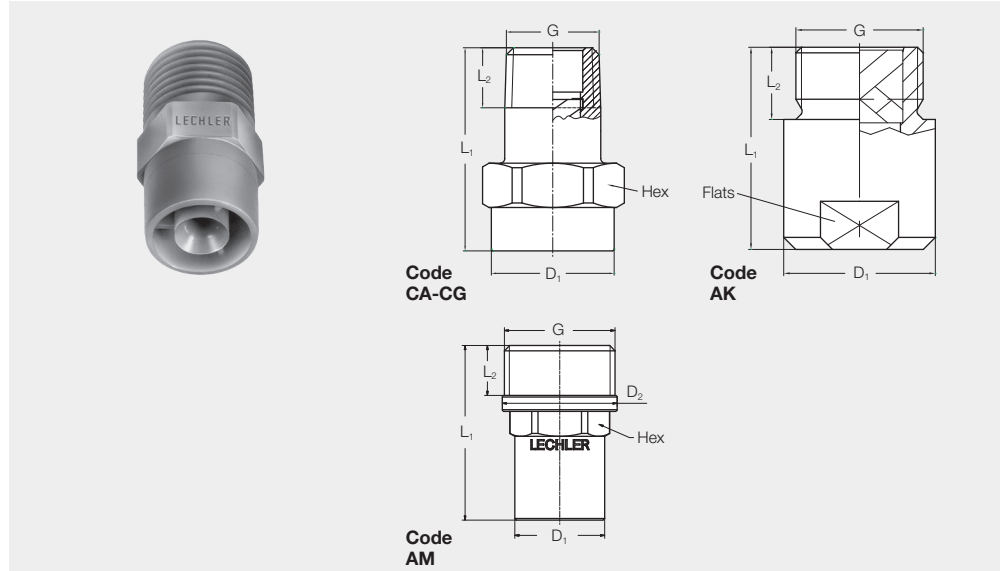
# Axial-flow full cone nozzles Series 460/461



**Very uniform spray pattern.**

**Applications:**

Cleaning and washing process, cooling of gaseous fluids and solids, surface spraying, spraying onto mats in air washers, improving of chemical reactions.



Full cone nozzles

Code	Dimensions [mm]					
	G	L <sub>1</sub>	L <sub>2</sub>	D <sub>1</sub>	D <sub>2</sub>	Hex/Flats
<b>CA</b>	1/8 BSPT	22.0	6.5	13.0	-	14
<b>CC</b>	1/4 BSPT	22.0	9.7	13.0	-	14
<b>CE</b>	3/8 BSPT	30.0	10.0	17.0	-	17
<b>CG</b>	1/2 BSPT	43.5	13.2	22.0	-	22
<b>AK</b>	3/4 BSPP	42.0	15.0	31.5	-	27
<b>AM</b>	1 BSPP	52.5	15.0	27.0	34.5	27

Subject to technical modifications. Please enquire about the exact dimensions if the installation situation is critical!

Spray angle 	Ordering no.								B Ø [mm]	E Ø [mm]	V [l/min]								Spray diameter D at p=2 bar	
	Type	Mat. no. 5E	Code					p [bar]												
			P/DF	1/8 BSPT	1/4 BSPT	3/8 BSPT	1/2 BSPT	3/4 BSPP			1 BSPP									
												0.5	1.0	2.0	3.0	5.0	7.0	10.0	H = 200 mm	H = 500 mm
60°	460.524	○	CA	-	-	-	-	-	1.60	1.60	1.00	1.41	2.00	2.45	2.83	3.16	4.47	220	560	
	460.644	○	-	CC	-	-	-	-	2.40	1.90	2.30	3.03	4.00	4.70	5.77	6.60	7.61	220	560	
	460.724	○	-	CC	-	-	-	-	2.80	2.10	3.15	4.45	6.30	7.72	8.91	9.96	14.09	220	560	
	460.964	○	-	-	-	-	-	AK	-	5.80	4.90	14.36	18.95	25.00	29.40	36.07	41.26	47.59	220	560
90°	460.326	○	CA	-	-	-	-	-	0.80	0.55	0.23	0.30	0.40	0.47	0.58	0.66	0.76	380	860	
	460.406	○	CA	-	-	-	-	-	1.20	0.85	0.57	0.76	1.00	1.18	1.44	1.65	1.90	380	860	
	460.486	○	CA	-	-	-	-	-	1.45	1.20	0.92	1.21	1.60	1.88	2.31	2.64	3.05	380	860	
	460.526	○	CA	-	-	-	-	-	1.65	1.30	1.15	1.52	2.00	2.35	2.89	3.30	3.81	380	860	
	460.606	○	CA	-	CE	-	-	-	2.05	1.45	1.81	2.39	3.15	3.70	4.54	5.20	6.00	380	860	
	460.646	○	-	CC	-	-	-	-	2.30	1.80	2.30	3.03	4.00	4.70	5.77	6.60	7.61	390	960	
	460.726	○	-	-	CE	-	-	-	2.95	2.00	3.62	4.77	6.30	7.41	9.09	10.40	11.99	390	960	
	460.746	○	-	-	CE	-	-	-	3.30	1.90	4.08	5.38	7.10	8.35	10.24	11.72	13.52	390	960	
	460.766	○	-	-	CE	-	-	-	3.30	2.40	4.59	6.06	8.00	9.41	11.54	13.20	15.22	390	960	
	460.806	○	-	-	CE	-	-	-	3.70	2.70	5.74	7.58	10.00	11.76	14.43	16.51	19.04	390	960	
	460.846	○	-	-	CE	-	-	-	4.05	3.20	7.18	9.47	12.50	14.70	18.03	20.63	23.80	390	960	
	460.886	○	-	-	CE	CG	-	-	4.70	3.10	9.19	12.13	16.00	18.82	23.08	26.41	30.46	390	960	
	460.926	○	-	-	-	CG	-	-	5.10	2.80	10.00	14.14	20.00	24.49	28.28	31.62	44.72	390	960	
	460.966	○	-	-	-	CG	-	-	5.80	3.80	14.36	18.95	25.00	29.40	36.07	41.26	47.59	390	960	
	461.006	○	-	-	-	CG	-	-	6.40	3.80	18.09	23.87	31.50	37.05	45.45	51.99	59.97	390	960	
	461.046	○	-	-	-	-	CK*	-	7.20	5.30	22.97	30.31	40.00	47.04	57.71	66.02	76.15	390	960	
	461.086	○	-	-	-	-	AM	-	8.40	5.00	25.00	35.36	50.00	61.24	70.71	79.06	111.80	390	860	

B = bore diameter · E = narrowest free cross section  
\* Connection 3/4 BSPT



Continued on next page.

Conversion formula for the above series:  $\dot{V}_2 = \dot{V}_1 * \left(\frac{p_2}{p_1}\right)^{0.4}$   
(≤ 10 bar)



# Axial-flow full cone nozzles Series 460/461



Spray angle 	Ordering no.								B Ø [mm]	E Ø [mm]	V̇ [l/min]								Spray diameter D at p=2 bar 	
	Type	Mat. no.	Code								p [bar]								H = 200 mm	H = 500 mm
		5E	1/8 BSPT	1/4 BSPT	3/8 BSPT	1/2 BSPT	3/4 BSPT	1 BSPP			0.5	1.0	2.0	3.0	5.0	7.0	10.0			
120°	460.368	○	CA	-	-	-	-	-	0.95	0.45	0.32	0.45	0.63	0.77	0.89	1.00	1.41	680	1,220	
	460.408	○	CA	-	-	-	-	-	1.20	0.85	0.57	0.76	1.00	1.18	1.44	1.65	1.90	680	1,220	
	460.488	○	CA	-	-	-	-	-	1.50	1.00	0.92	1.21	1.60	1.88	2.31	2.64	3.05	680	1,220	
	460.528	○	CA	-	-	-	-	-	1.65	1.20	1.15	1.52	2.00	2.35	2.89	3.30	3.81	680	1,220	
	460.608	○	CA	-	-	-	-	-	2.10	1.40	1.81	2.39	3.15	3.70	4.54	5.20	6.00	680	1,220	
	460.648	○	-	CC	CE	-	-	-	2.45	1.60	2.30	3.03	4.00	4.70	5.77	6.60	7.61	680	1,330	
	460.728	○	-	-	CE	-	-	-	3.10	1.90	3.62	4.77	6.30	7.41	9.09	10.40	11.99	680	1,330	
	460.748	○	-	-	CE	-	-	-	3.30	1.90	4.08	5.38	7.10	8.35	10.24	11.72	13.52	680	1,330	
	460.768	○	-	-	CE	-	-	-	3.50	1.90	4.59	6.44	8.00	9.41	11.54	13.20	15.22	680	1,330	
	460.808	○	-	-	CE	-	-	-	3.80	2.40	5.74	7.58	10.00	11.76	14.43	16.51	19.04	680	1,330	
	460.848	○	-	-	CE	-	-	-	4.20	2.70	7.18	9.47	12.50	14.70	18.03	20.63	23.80	680	1,330	
	460.888	○	-	-	-	CG	-	-	4.60	3.10	9.19	12.13	16.00	18.82	23.08	26.41	30.46	680	1,330	
	460.968	○	-	-	-	CG	-	-	5.90	4.10	14.36	18.95	25.00	29.40	36.07	41.26	47.59	680	1,330	
	461.048	⊗	-	-	-	-	CK*	-	7.60	4.90	22.97	30.31	40.00	47.04	57.71	66.02	76.15	680	1,330	

B = bore diameter · E = narrowest free cross section

⊗ Material PP (material no. 53)

\* Connection 3/4 BSPT

The folded page at the end of the catalogue will give you a survey on the various assembly possibilities. For complete assembly accessories, please refer to »Accessories«.

Example    Type    + Material no. + Code = Ordering no.  
for ordering: 460.368    + 5E                    + CA                    = 460.368.5E.CA