



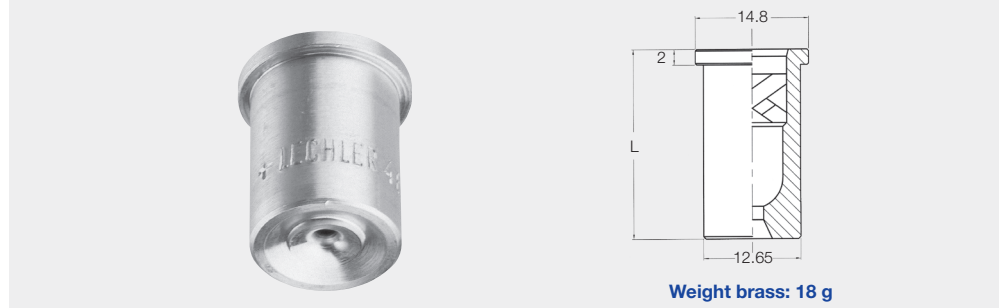
Axial-flow full cone nozzles for retaining nut Series 468





Full cone nozzle for assembly with retaining nut. Uniform full cone spray.

Applications:

Surface spraying, spraying over packings, chemical process engineering, cleaning and washing processes, cooling of gaseous fluids and solids.



Weight brass: 18 g

Spray angle 	Ordering no.				B Ø [mm]	E Ø [mm]	V̇ [l/min]								L [mm]	Spray diameter D at p = 2 bar 	
	Type	Mat. no.					p [bar]									H = 200 mm	H = 500 mm
		17 ¹ 316Ti SS/ 316L SS	30 Brass	5E PVDF			0.5	1.0	2.0	US [gal/ min] at 40 psi	3.0	5.0	10.0				
60°	468.604	○	○	-	2.05	1.40	1.81	2.39	3.15	0.98	3.70	4.54	6.00	18	220	560	
	468.644	-	○	○	2.40	1.90	2.30	3.03	4.00	1.20	4.70	5.77	7.61	24.5	220	560	
	468.684	-	○	-	2.60	2.00	2.87	3.79	5.00	1.55	5.88	7.21	9.52	24.5	220	560	
	468.724	○	○	-	2.90	2.00	3.62	4.77	6.30	1.89	7.41	9.09	11.99	24.5	220	560	
90°	468.526	○	○	○	1.65	1.30	1.15	1.52	2.00	0.60	2.35	2.89	3.81	18	380	860	
	468.846	○	○	-	4.05	3.20	7.18	9.47	12.50	3.75	14.70	18.03	23.80	24.5	380	960	
120°	468.368	-	○	-	0.95	0.70	0.36	0.48	0.63	0.20	0.74	0.91	1.20	18	680	1,540	
	468.408	○	○	-	1.20	0.85	0.57	0.76	1.00	0.30	1.18	1.44	1.90	18	680	1,540	
	468.488	○	○	-	1.50	1.00	0.92	1.21	1.60	0.48	1.88	2.31	3.05	18	680	1,540	
	468.528	○	○	-	1.65	1.20	1.15	1.52	2.00	0.60	2.35	2.89	3.81	18	680	1,540	

¹ We reserve the right to deliver 316Ti SS or 316L SS under the material no. 17.
B = bore diameter · E = narrowest free cross section

The folded page at the end of the catalogue will give you a survey on the various assembly possibilities. For complete assembly accessories, please refer to »Accessories«.

Example for ordering
Type 468.604 + Material-no. 17 = Ordering no. 468.604.17

