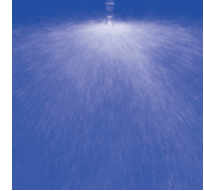




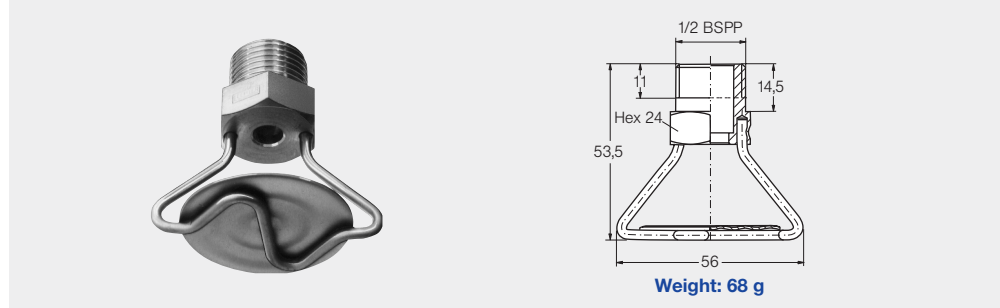
Deflector-plate nozzle Series 524/525





Full cone spray. Non clogging nozzle without swirl insert.

Applications:

Fire fighting and broadcast spraying, wide area spray.



Spray angle 	Ordering no.		B Ø [mm]	V̇ [l/min]						Spray diameter D at p=3 bar approx. 		
	Type	Mat. no.		p [bar]						H = 1 m	H = 3 m	
		30		17 ¹	0.5	1.0	US [gal/ min] at 40 psi	3.0	5.0			10.0
180°	524.809	○	○	4.00	5.00	7.10	3.10	12.20	15.80	22.40	5.60 m	6.40 m
	525.049	○	○	8.00	20.00	28.30	12.41	49.00	63.20	89.40	10.00 m	13.20 m
	525.109	○	-	9.30	28.00	40.00	17.37	69.00	89.00	125.00	10.20 m	13.40 m
	525.169	○	-	10.90	40.00	57.00	24.81	98.00	126.00	179.00	10.60 m	13.60 m
	525.229	○	-	12.20	56.00	79.00	34.73	137.00	177.00	250.00	6.80 m	10.40 m
	525.269	○	○	12.30	70.00	99.00	43.42	171.00	221.00	313.00	5.20 m	10.20 m

¹ We reserve the right to deliver 316Ti SS or 316L SS under the material no. 17.
B = bore diameter

Version with dust protection cap on request.

Example	Type	+	Material-no.	=	Ordering no.
of ordering:	524.809	+	30	=	524.809.30