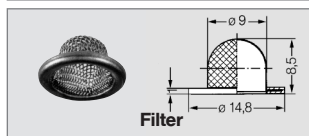
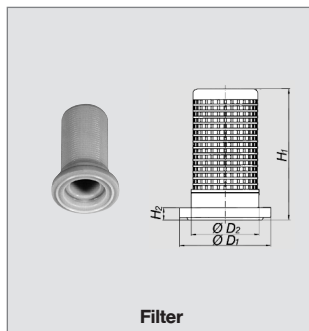
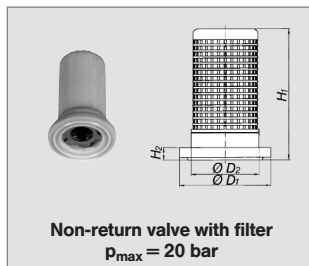




Accessories

Non-return valves / filters



For nozzle size	Ordering no.		56	26	Colour	Opening pressure [bar]	Closing pressure [bar]	Mesh size [mm]	Dimensions [mm]				Weight
	Type	Mat.-no.							H ₁	H ₂	D ₁	D ₂	
xxx.32x- xxx.44x	065.265	Ball AISI 420 Spring AISI 301	○	-	blue	0.5-1.0	0.4-0.9	0.25	21.5	2.0	14.8	11.0	2 g
	065.266	Ball AISI 420 Spring AISI 301	○	-	red	0.4-0.5	0.35-0.45	0.65	21.5	2.0	14.8	11.0	2 g
xxx.48x- xxx.56x	065.257		○	-	blue	-	-	0.25	21.5	2.0	14.8	11.0	2 g
	065.256		○	-	red	-	-	0.65	21.5	2.0	14.8	11.0	2 g
xxx.32x- xxx.44x	065.252		-	○	-	-	-	0.50	8.5	1.0	14.8	9.0	1 g

Example for ordering: **Type** **+** **Material no.** **=** **Ordering no.**
 065.265 **+** **56** **=** **065.265.56**